

EUROSTYLE P.C.B. TERMINAL BLOCK — ETB31 SERIES



CLAMPING TYPE, 55° SCREW IN PITCH=3.81 / 7.62mm

■ FEATURES

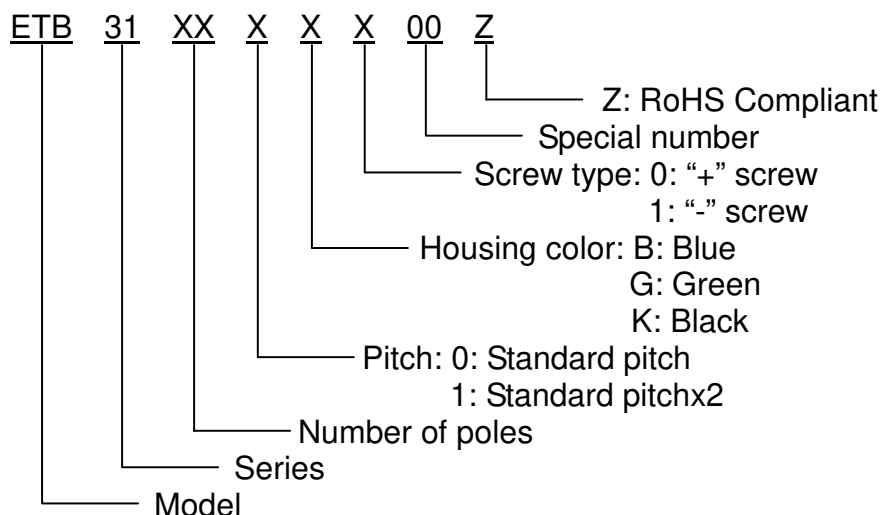
- Easy to assemble for any number of positions
- End stackable without any loss of P.C.B. space
- Special wire protector design to ensure reliable wire clamping
- UL 94V-0 grade fire retardant engineering plastic used for the housing
- Be capable of clamping a wide range of wire diameters
- Compact size for P.C.B.

■ SPECIFICATIONS

- Pitch 3.81mm, 7.62mm
- Wire range 26~16 AWG (1.5mm²)
- No. of pole per block 2P or 3P
- Rating 10 Amp, 300 VAC
- Housing PA66
- Terminals Tin plated over Copper Alloy
- Screws M2.0x0.4P, Zinc plated over Steel
- Wire cage Nickel plated over Zinc Alloy
- Torque 0.2 N-m (1.7 lb-in) (tested by manual torque screwdriver)
- Operating temperature -30°C ~+110°C (includes temperature rise limit)
- Stripping length 5mm
- UL Approval 300V, 10A, 26~16 AWG
- TUV Approval 130V, T100, 0.2 to 1.0mm²



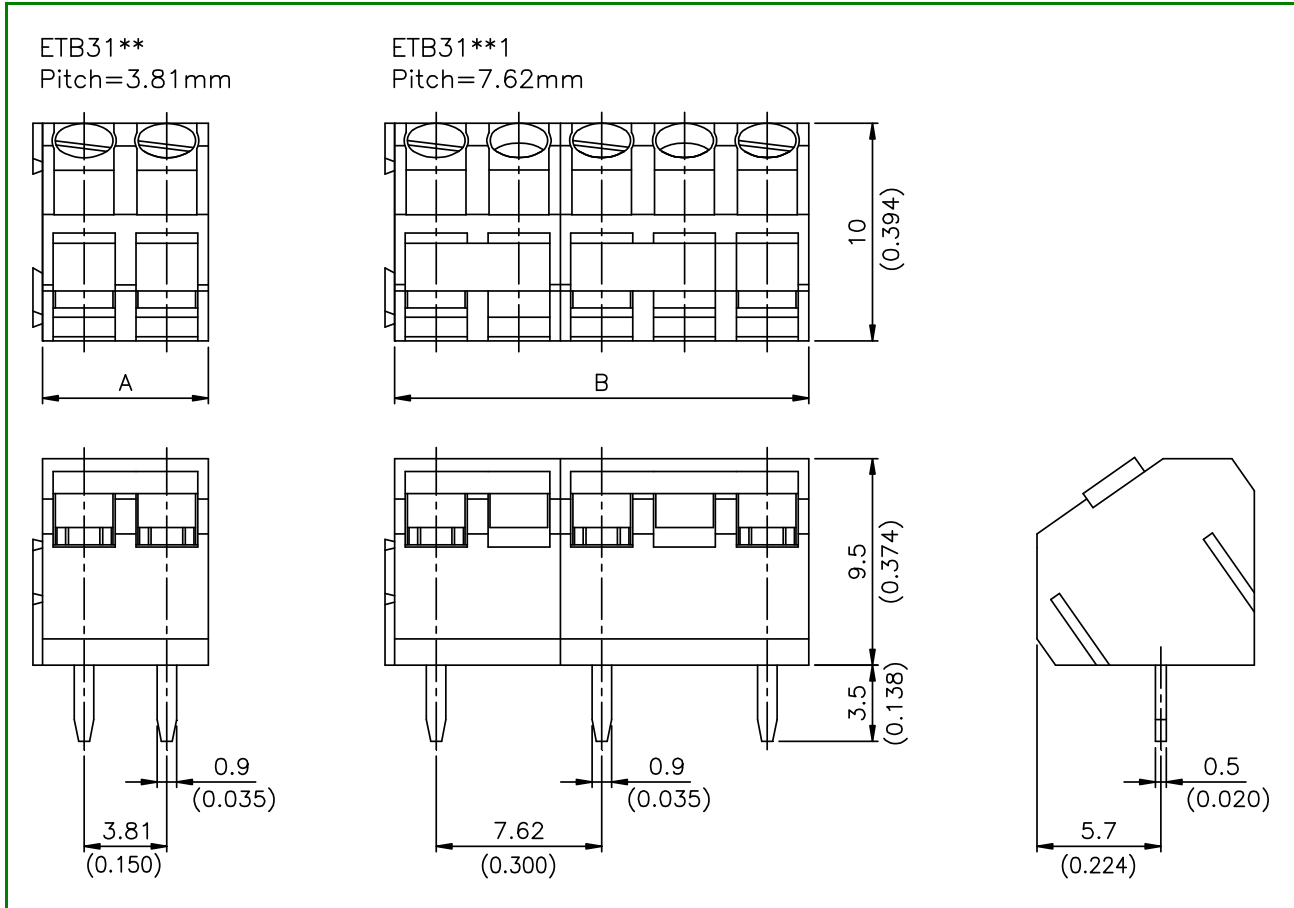
■ PART NUMBERING SYSTEM



EUROSTYLE P.C.B. TERMINAL BLOCK – ETB31 SERIES



■ DRAWING



POLE DIM.	2	3	4	5	6	7	8	9	10	11	12	13
A	7.62 (0.300)	11.43 (0.450)	15.24 (0.600)	19.05 (0.750)	22.86 (0.900)	26.67 (1.050)	30.48 (1.200)	34.29 (1.350)	38.10 (1.500)	41.91 (1.650)	45.72 (1.800)	49.53 (1.950)
B	11.43 (0.450)	19.05 (0.750)	26.67 (1.050)	34.29 (1.350)	41.91 (1.650)	49.53 (1.950)	57.15 (2.250)	64.77 (2.550)	72.39 (2.850)	80.01 (3.150)	87.63 (3.450)	
POLE DIM.	14	15	16	17	18	19	20	21	22	23	24	
A	53.34 (2.100)	57.15 (2.250)	60.96 (2.400)	64.77 (2.550)	68.58 (2.700)	72.39 (2.850)	76.20 (3.000)	80.01 (3.150)	83.82 (3.300)	87.63 (3.450)	91.44 (3.600)	